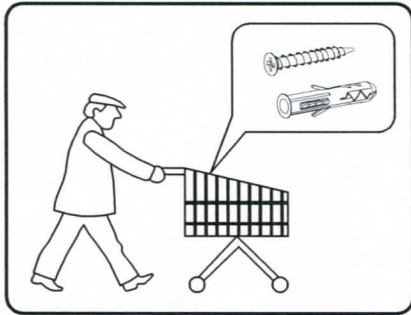
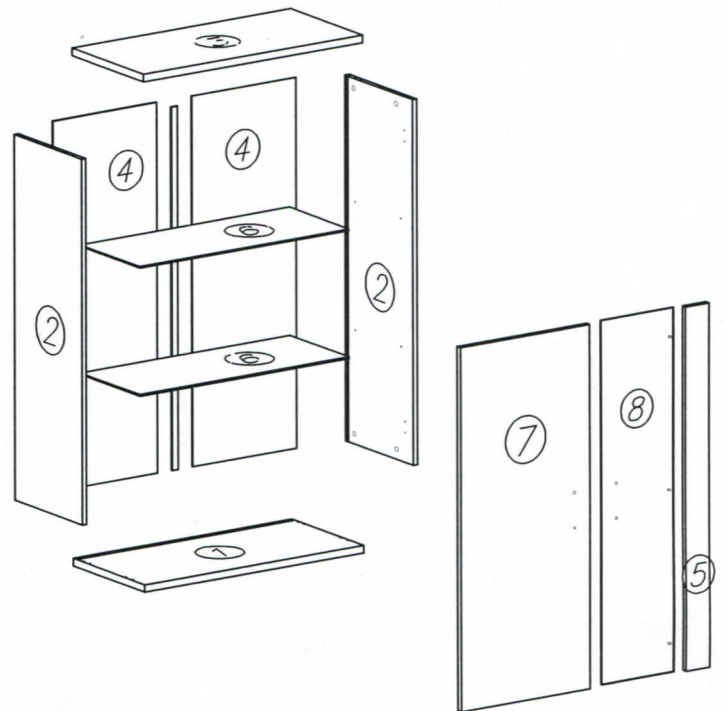
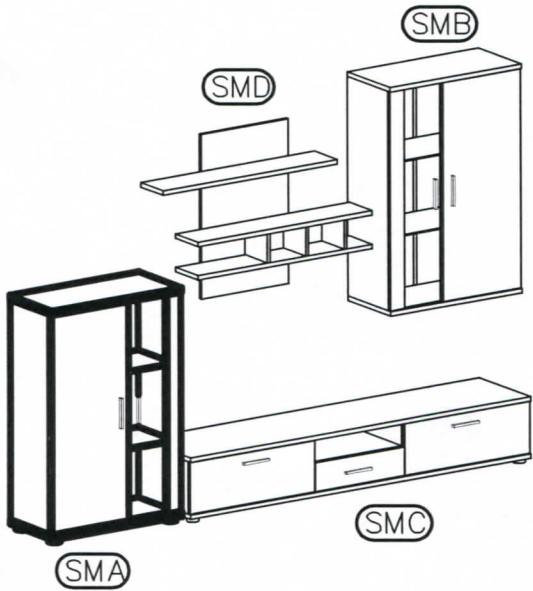
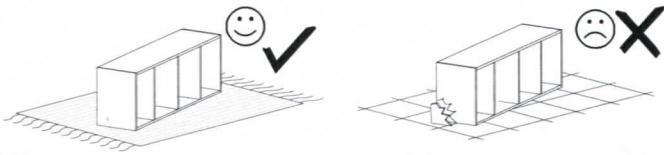
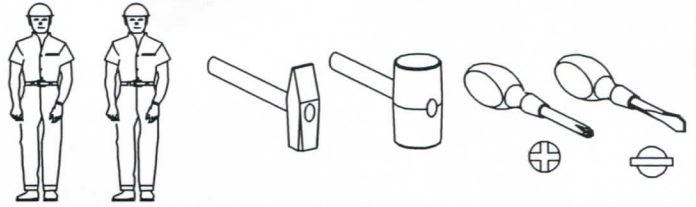


1/14

SMART

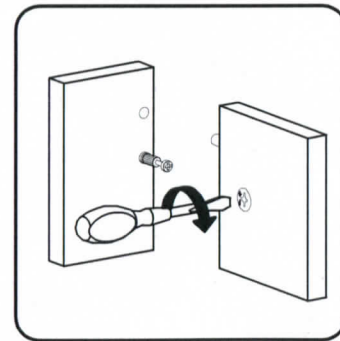
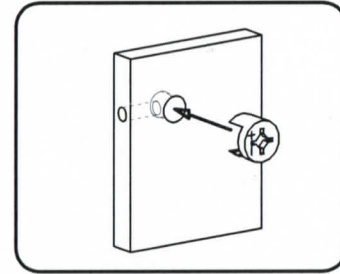
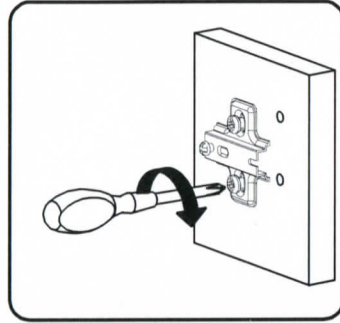
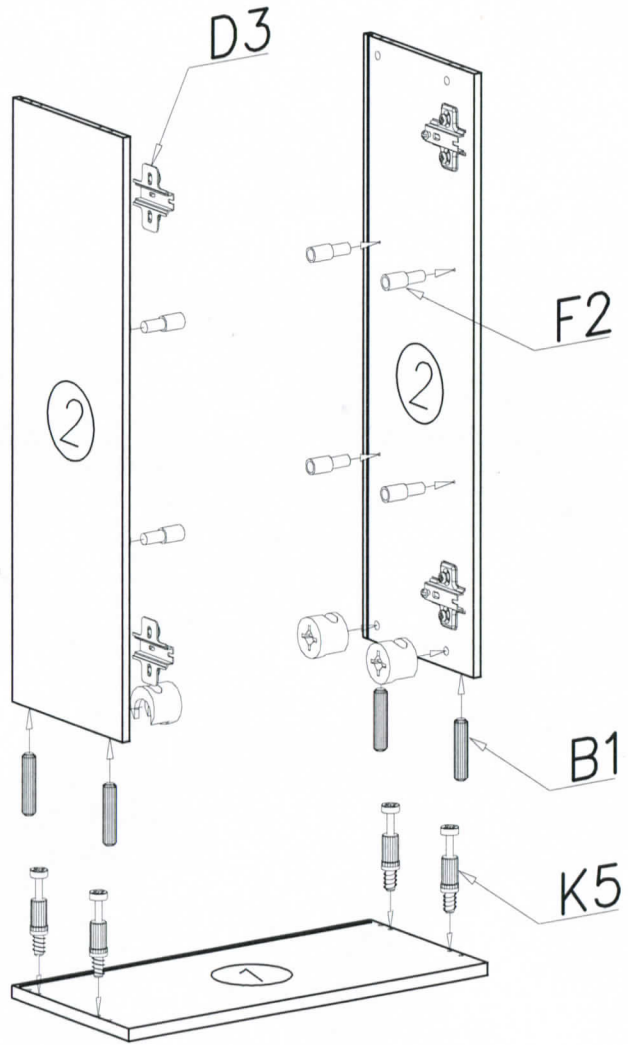
< SMA >



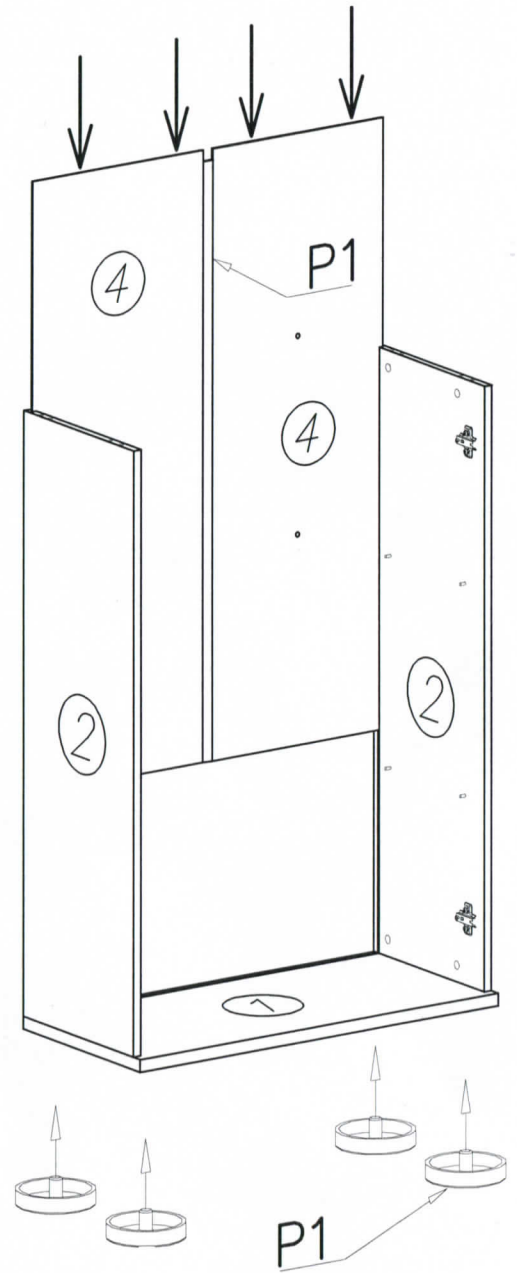
	W5 LED x2	S1 x1	I3 x3	G22 3,5 x 16 x3
F4 x1	D3 PZ35PR x4	S3 PCV x2	F2 x12	G4 4 x 16 x3
K1 ø15 x 12 x8	K5 x8	G1 4 x 13 x8	P1 x4	E15 96mm x2
G16 4 x 27 x2	B1 ø8 x 35 x8	I1 x10	C3 Z35PR x4	W2 x1



I

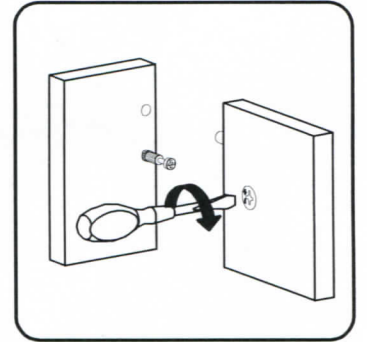
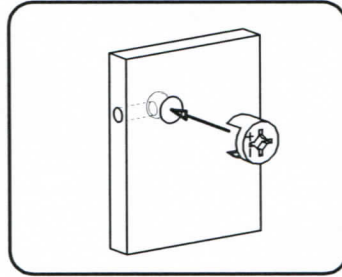
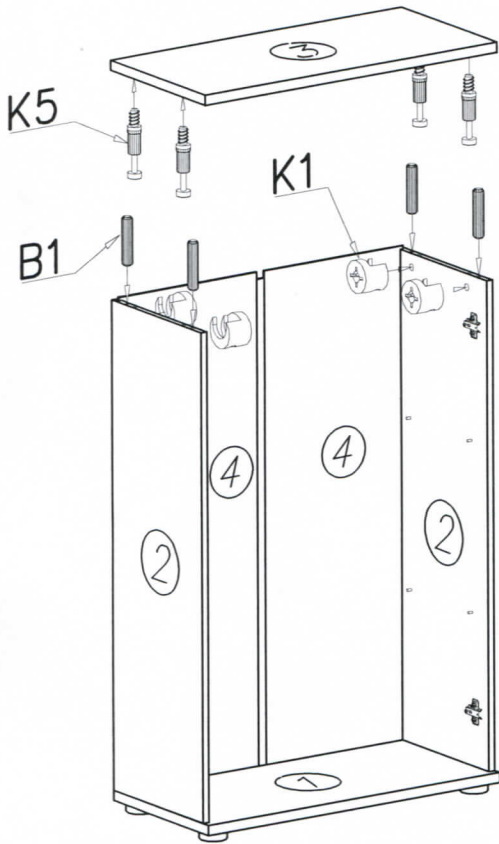


II

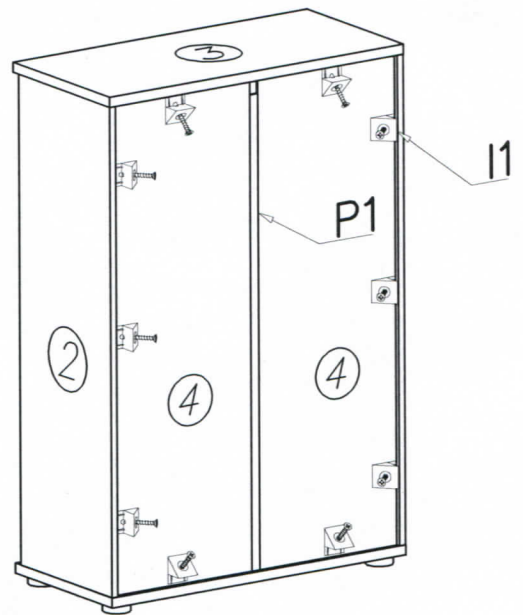




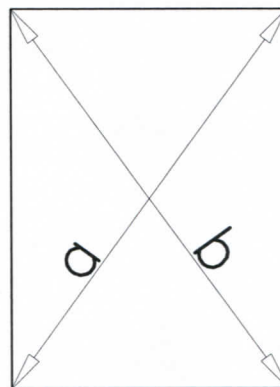
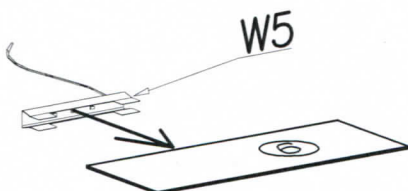
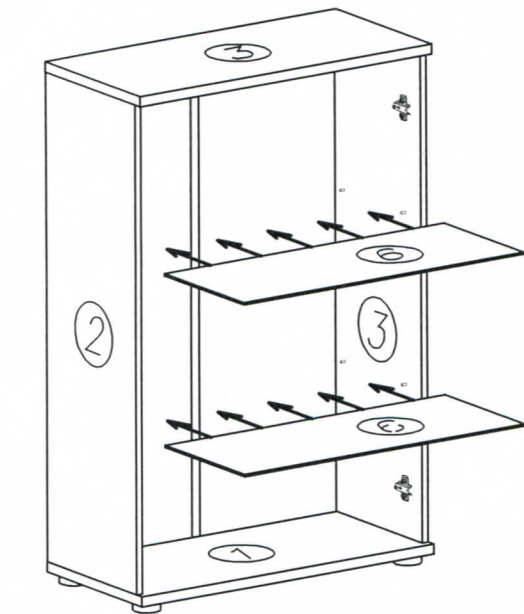
III



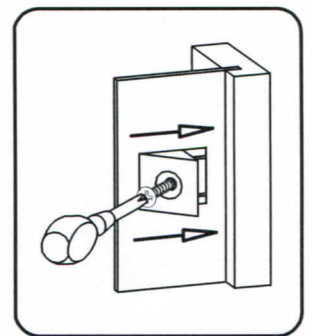
IV

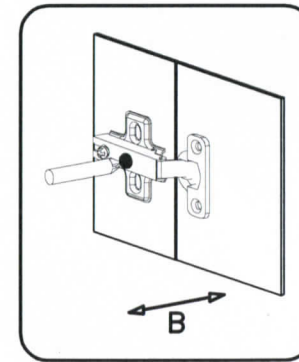
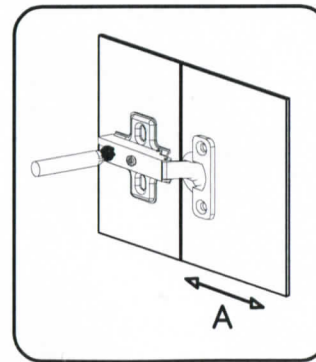
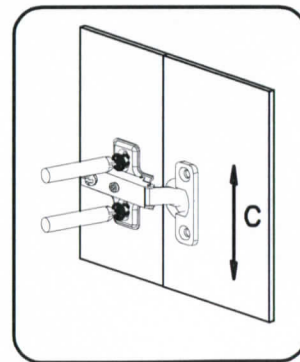
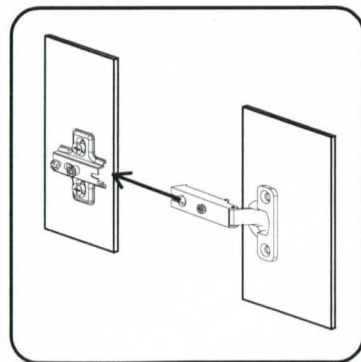
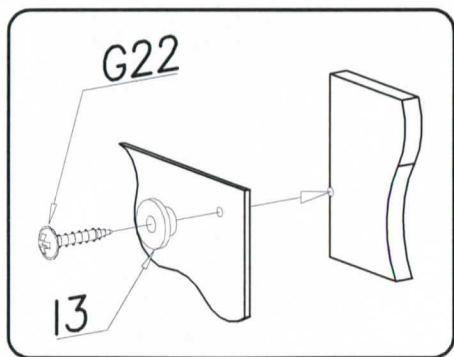
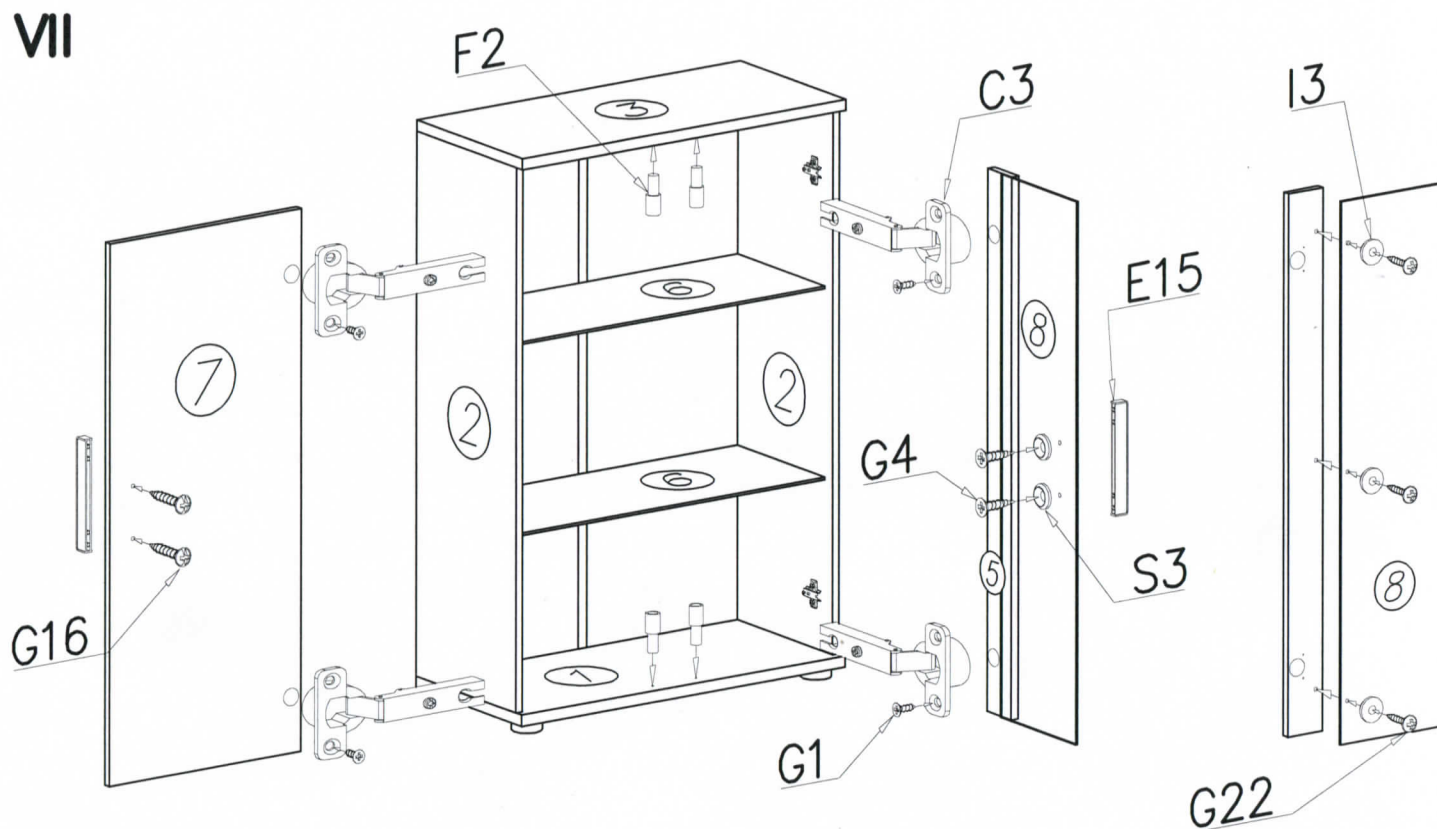
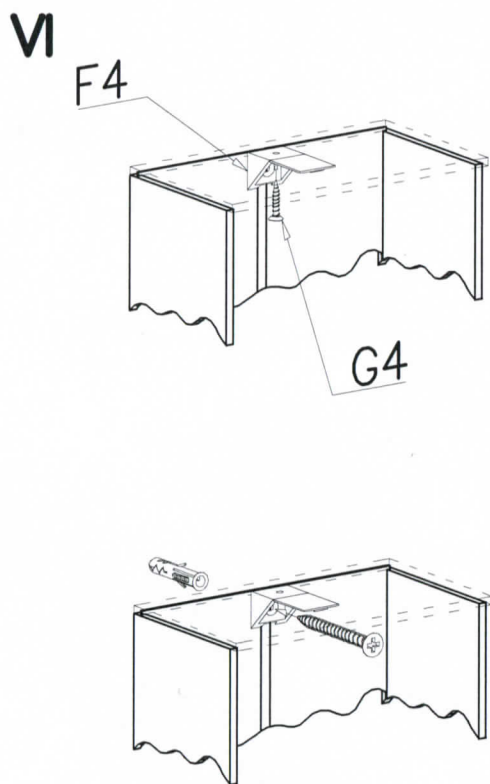


V



$$a = b$$

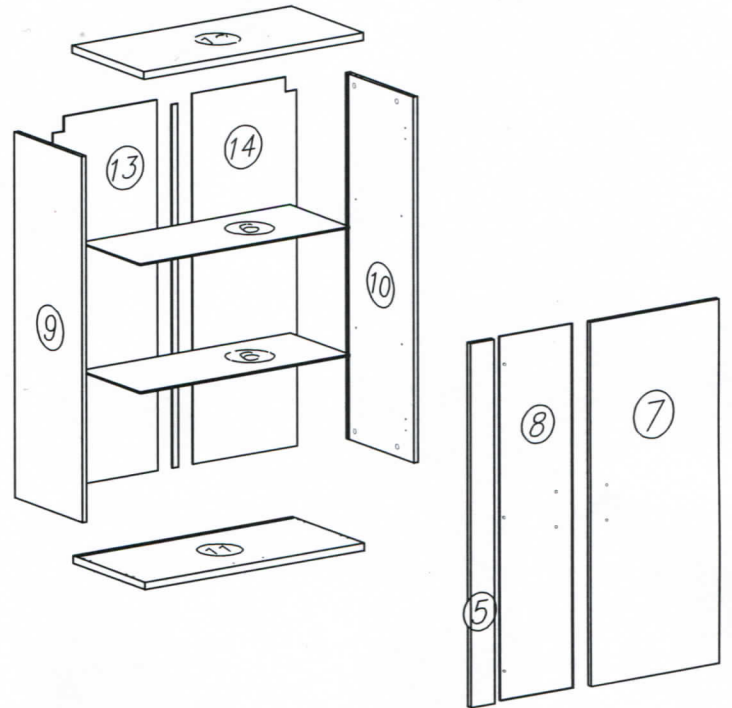
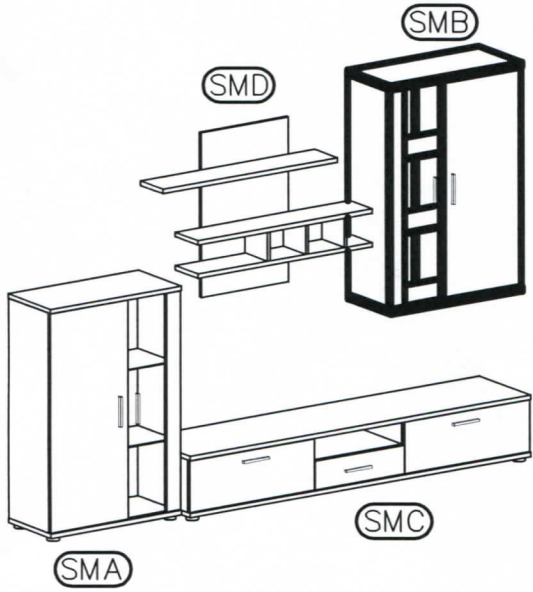
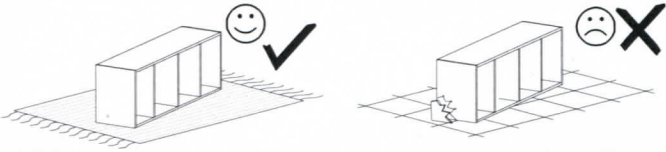
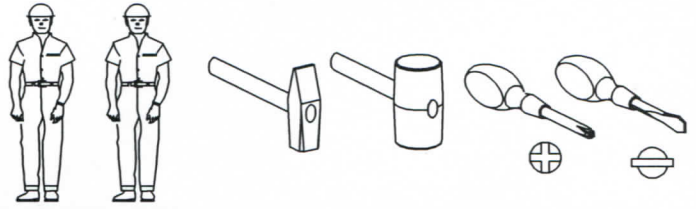


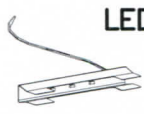




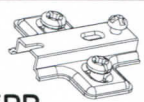

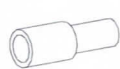

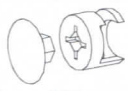
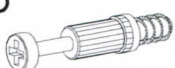

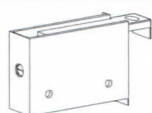



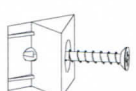
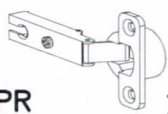
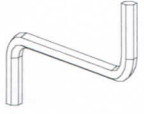


5/14

SMART

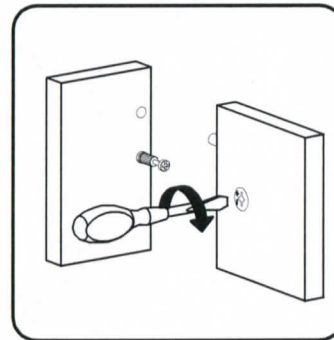
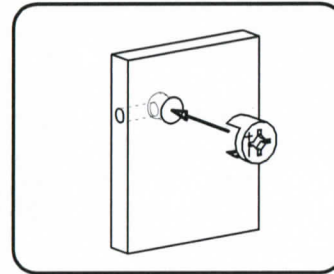
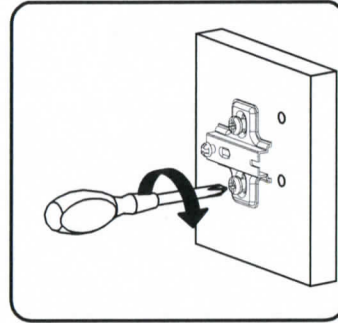
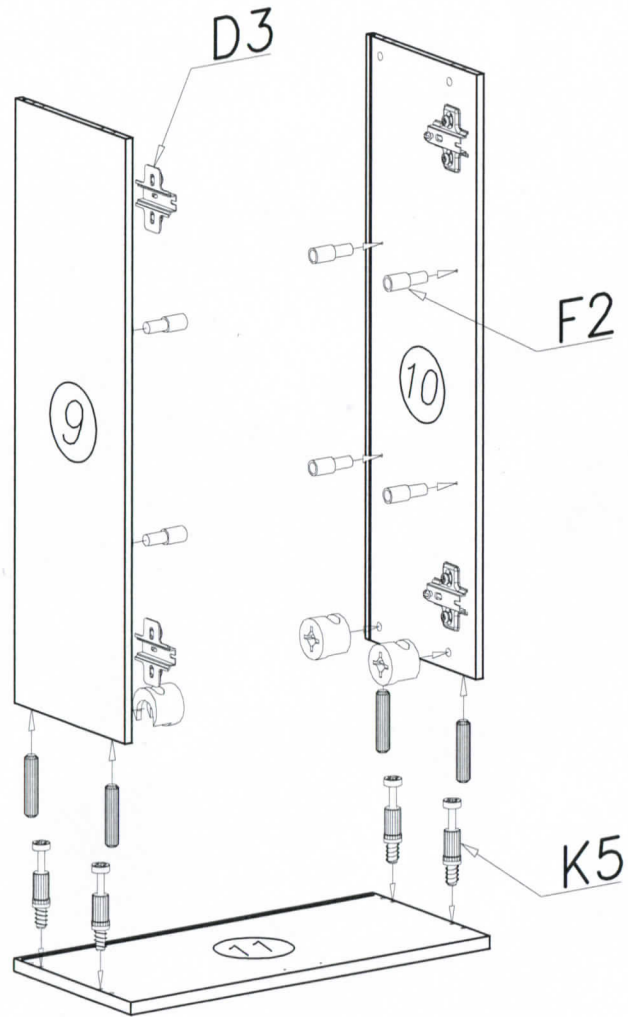
< SMB >



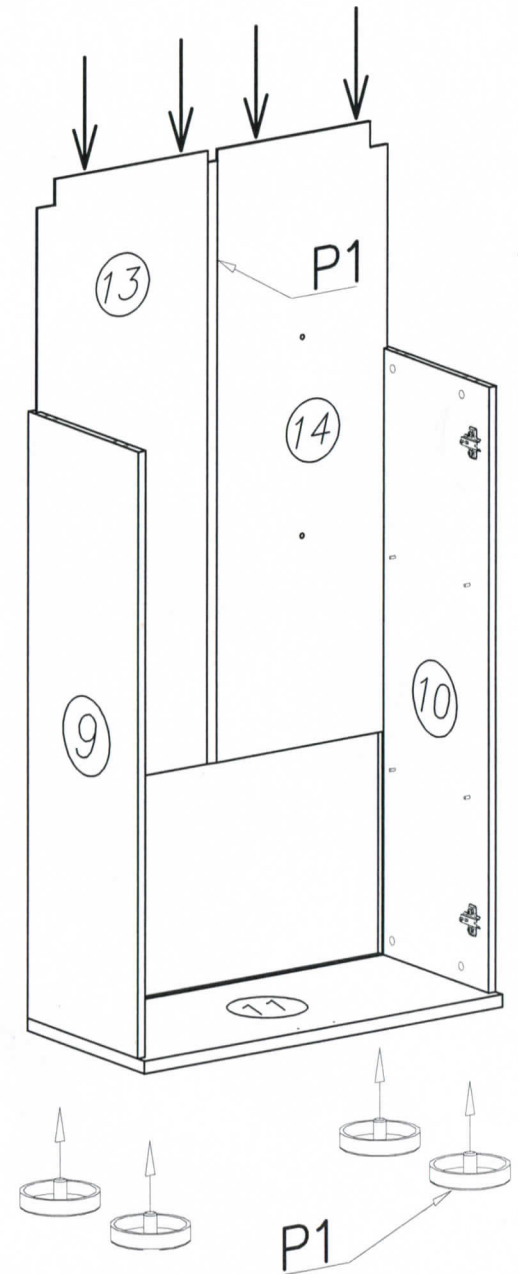
	W5  LED x2	S1  x1	I3  x3	G22  3,5 x 16 x3
G3  4 x 30 x4	D3  PZ35PR x4	S3  PCV x2	F2  x12	G4  4 x 16 x2
K1  ø15 x 12 x8	K5  x8	G1  4 x 13 x8	U2  x2	E15  96mm x2
G16  4 x 27 x2	B1  ø8 x 35 x8	I1  x10	C3  Z35PR x4	W2  x1

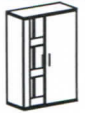


I

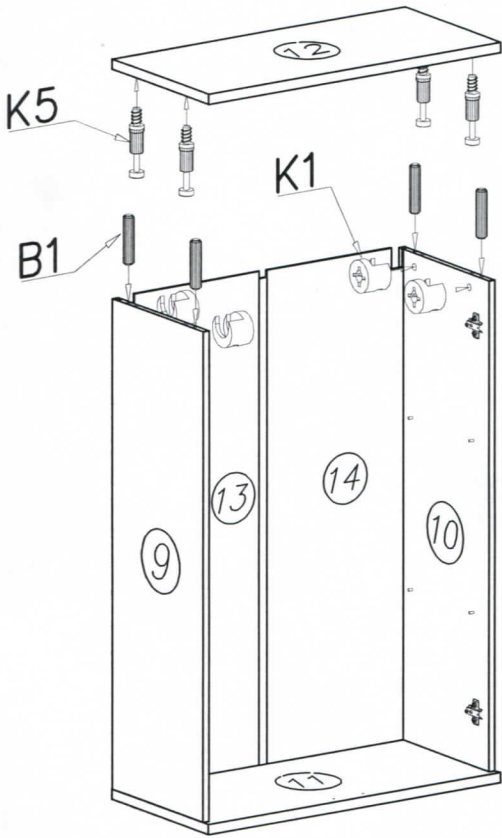


II

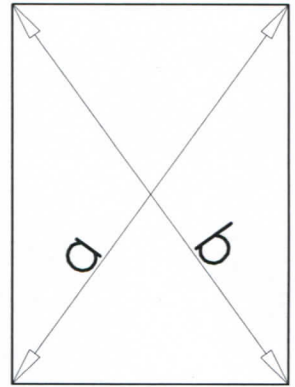
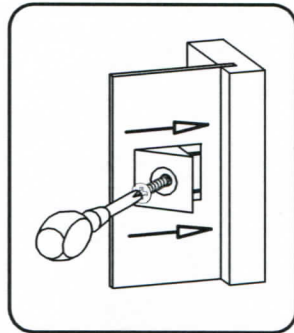
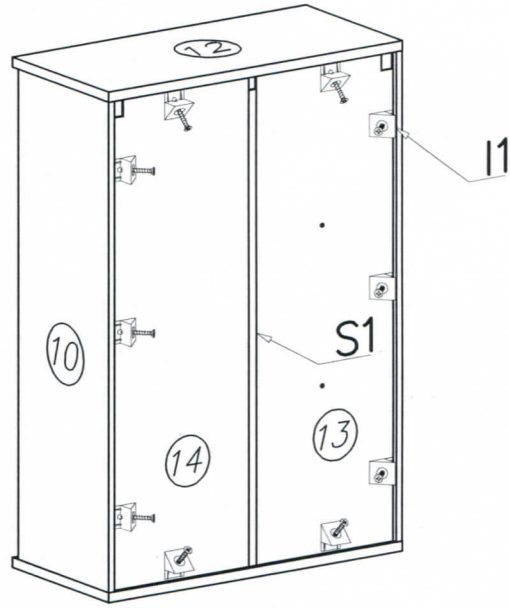




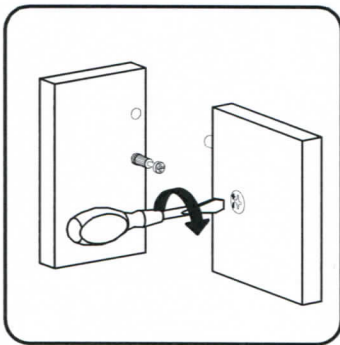
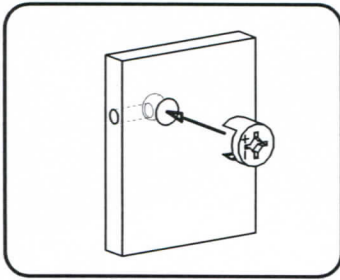
III



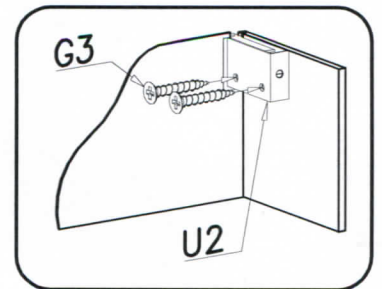
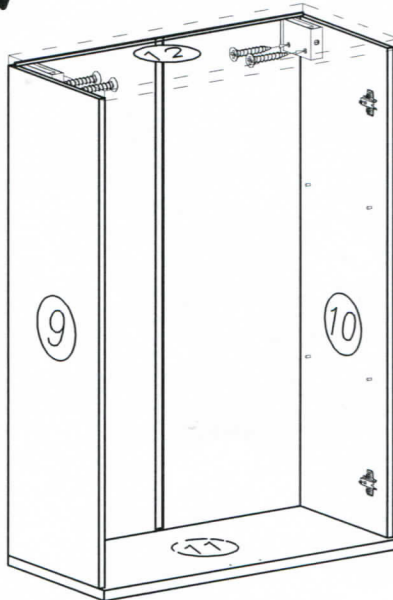
IV



$a=b$

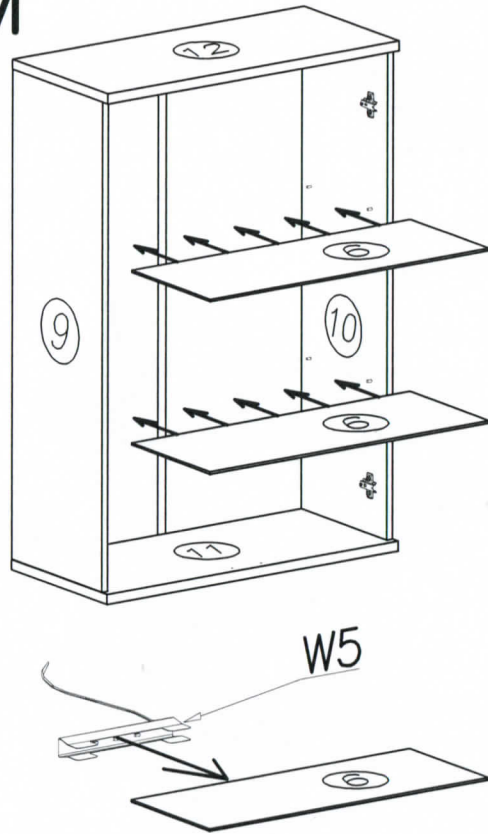


V

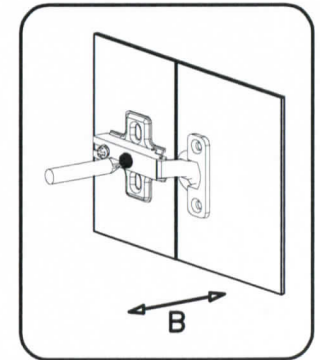
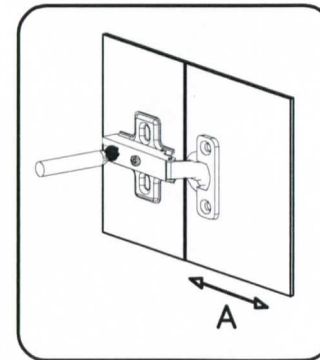
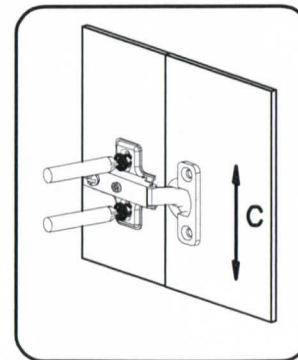
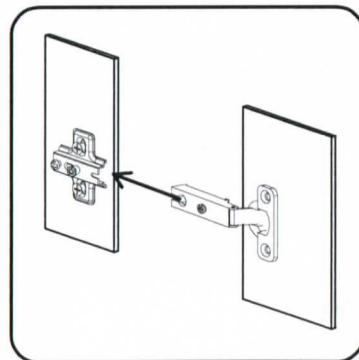
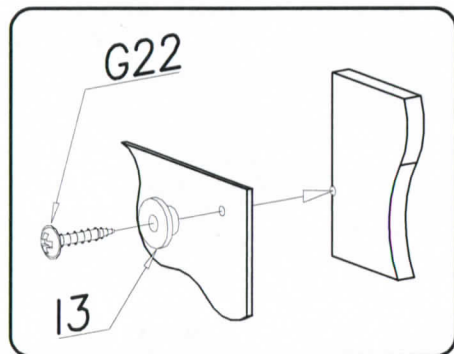
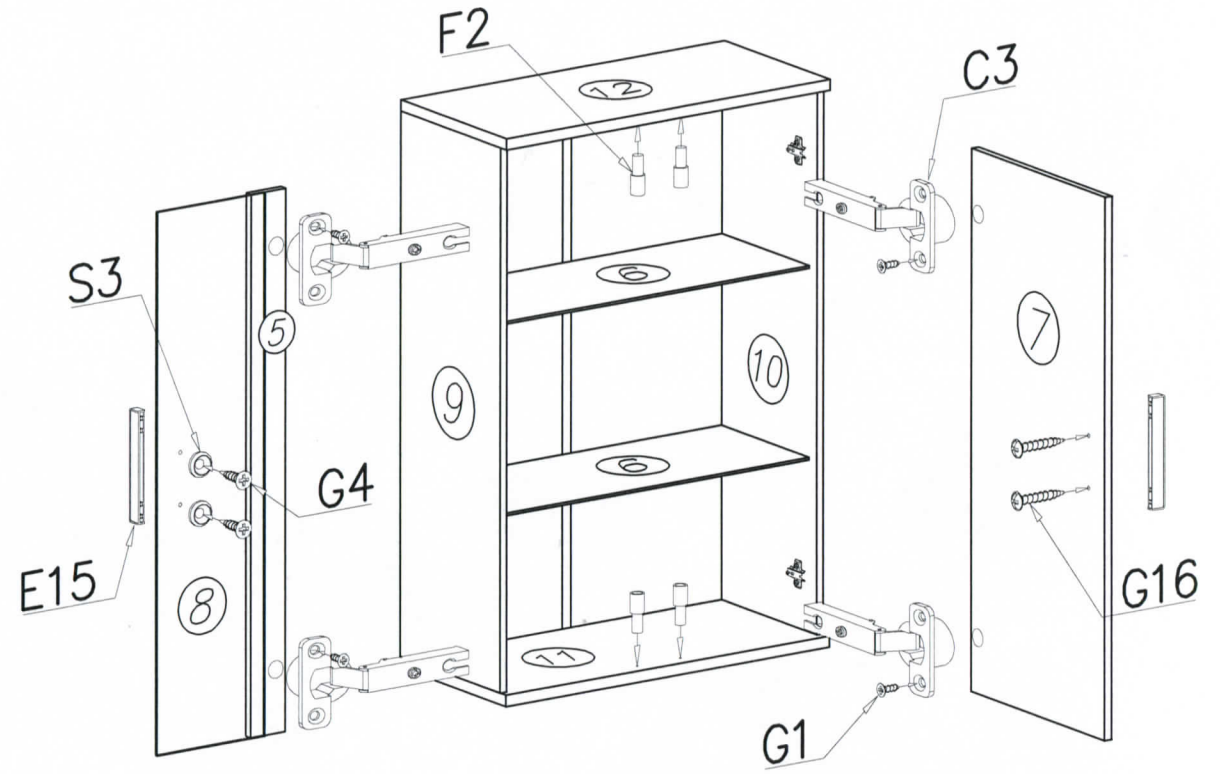
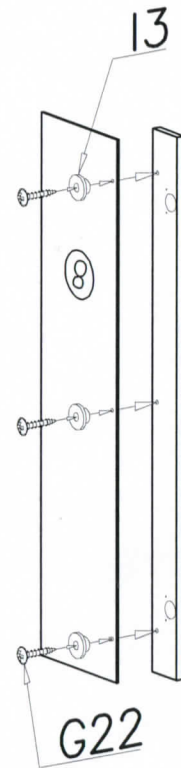




VI

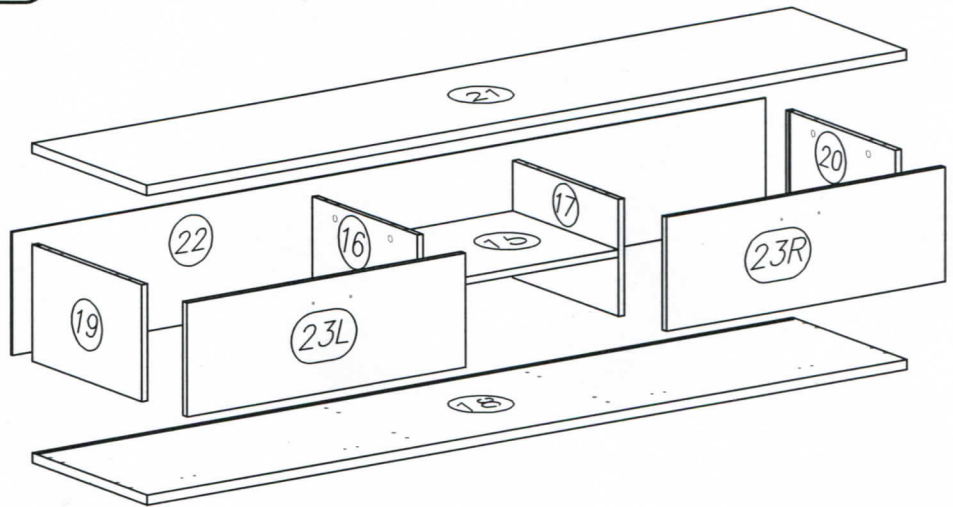
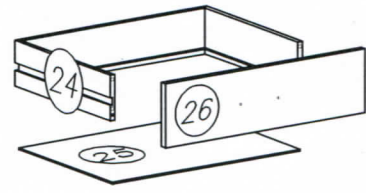
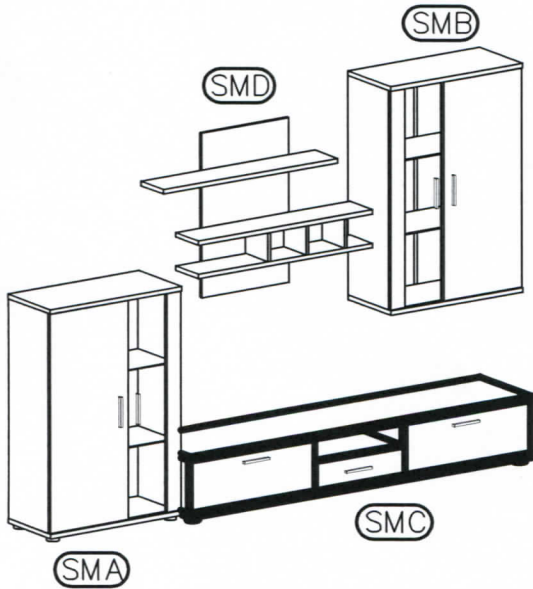
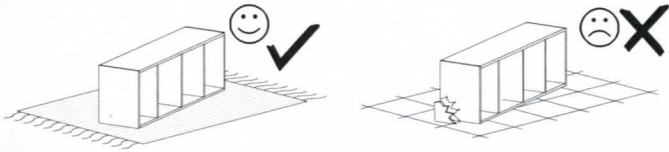
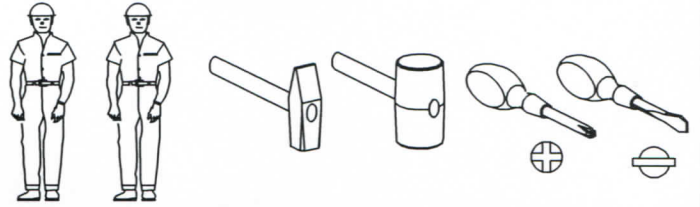



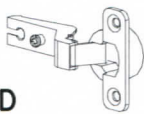


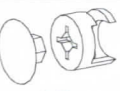

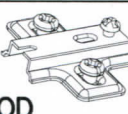




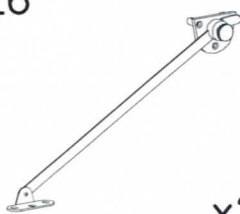


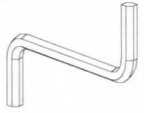
VII

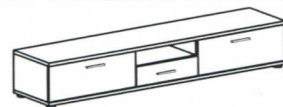


9/14

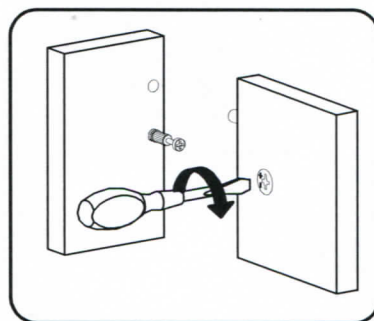
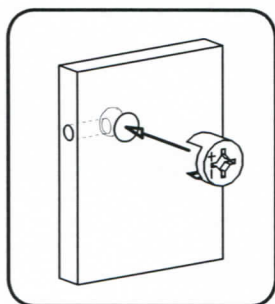
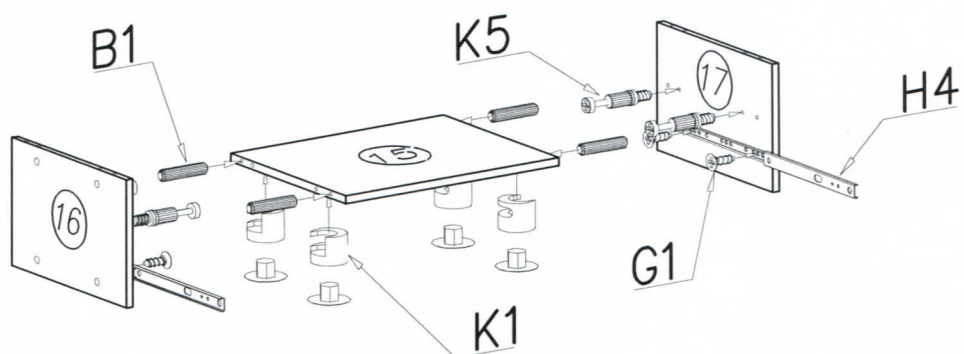
SMART < SMC >



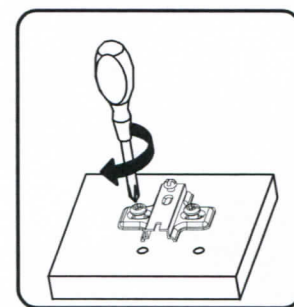
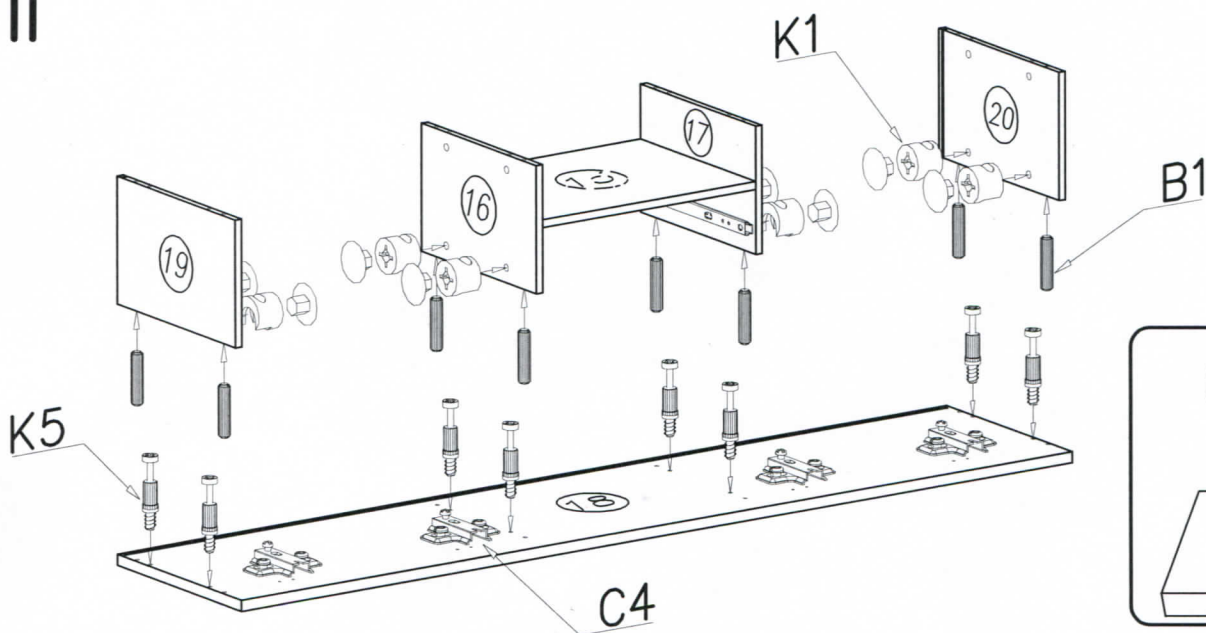
N1  M4 x 8 x2		C4  Z350D x4		H4  350mm x2		W1  GLUE, LEIM, LEPIDLO, LIM x1	
K1  ø15 x 12 x20		K5  ø8 x 35 x20		D4  PZ350D x4		P1  x6	
G16  4 x 27 x6		B1  ø8 x 35 x20		G1  4 x 13 x12		L6  x2	
						G21  3 x 16 x12	
						E15  96mm x3	
						W2  x1	



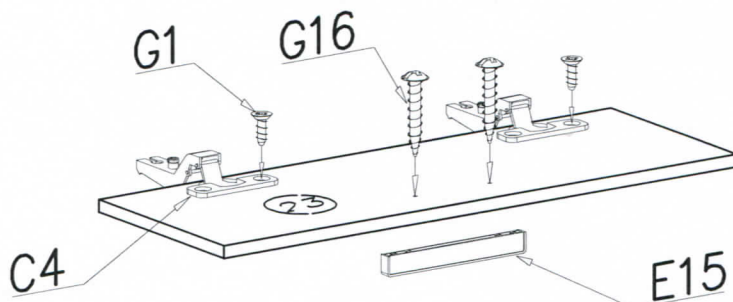
I

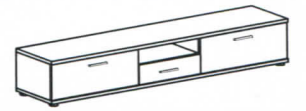


II

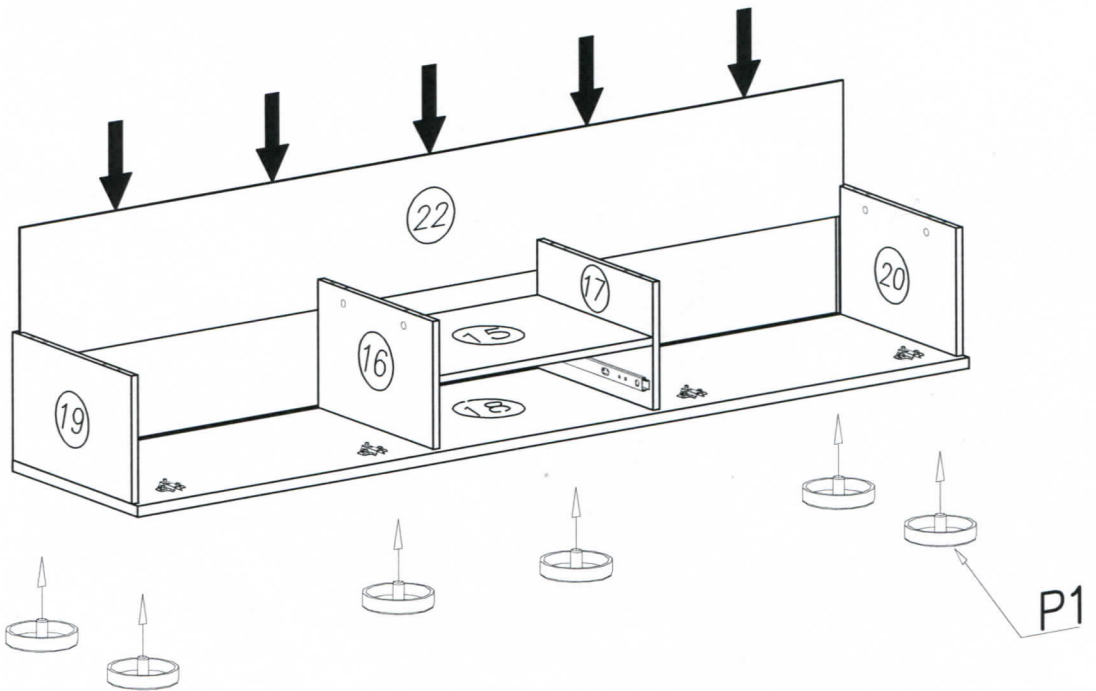


II

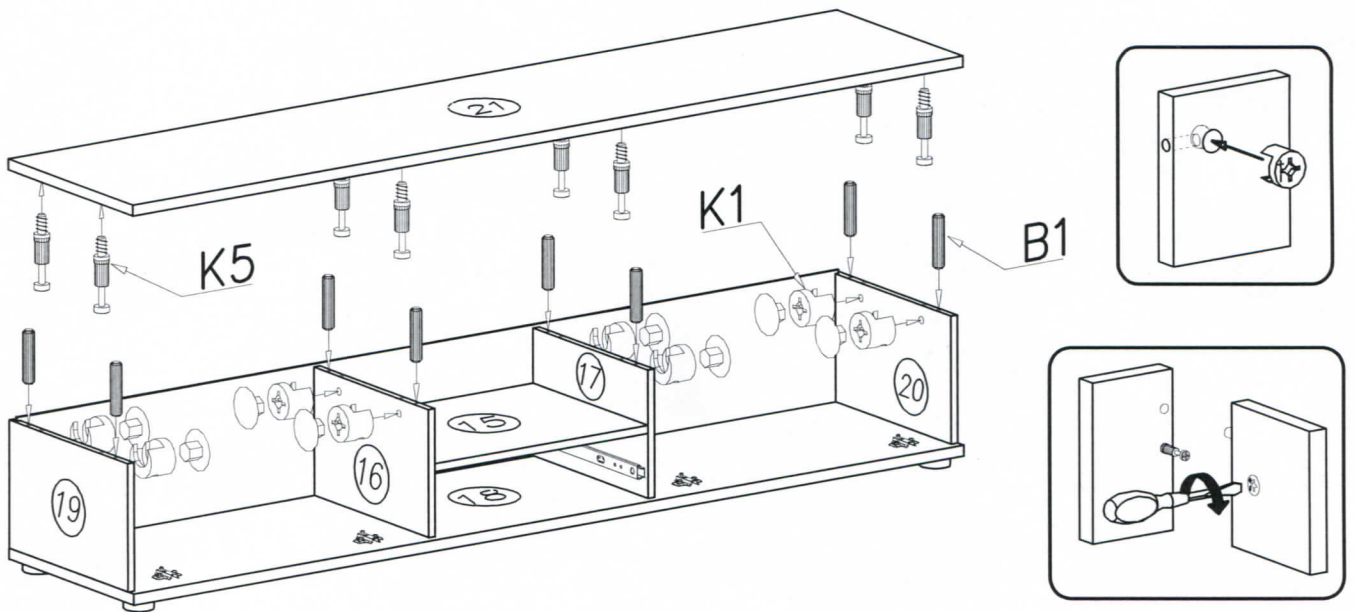




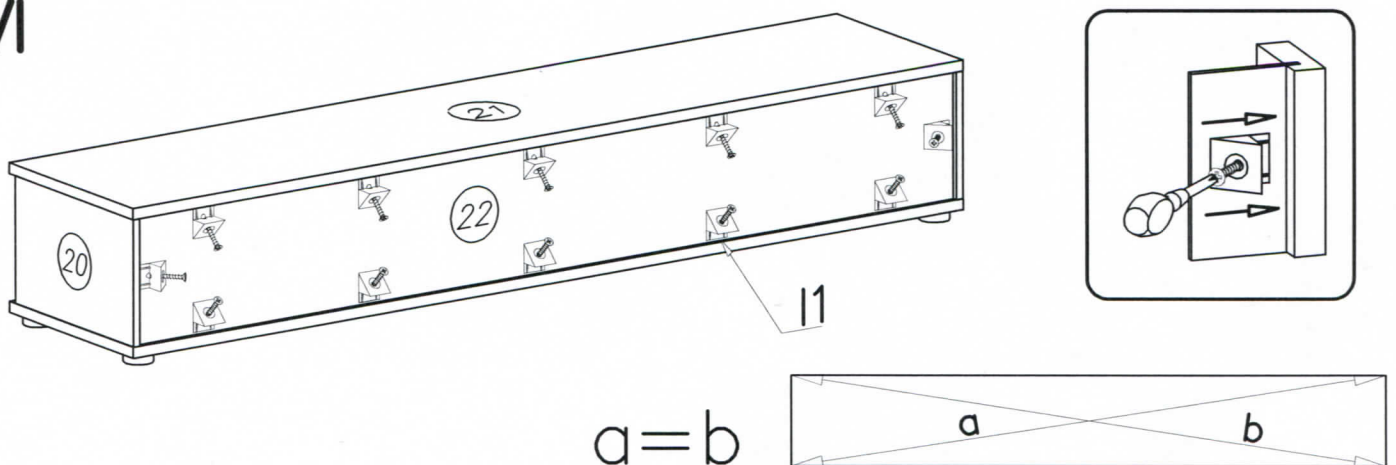
IV

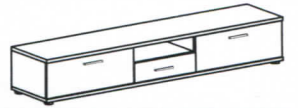


V

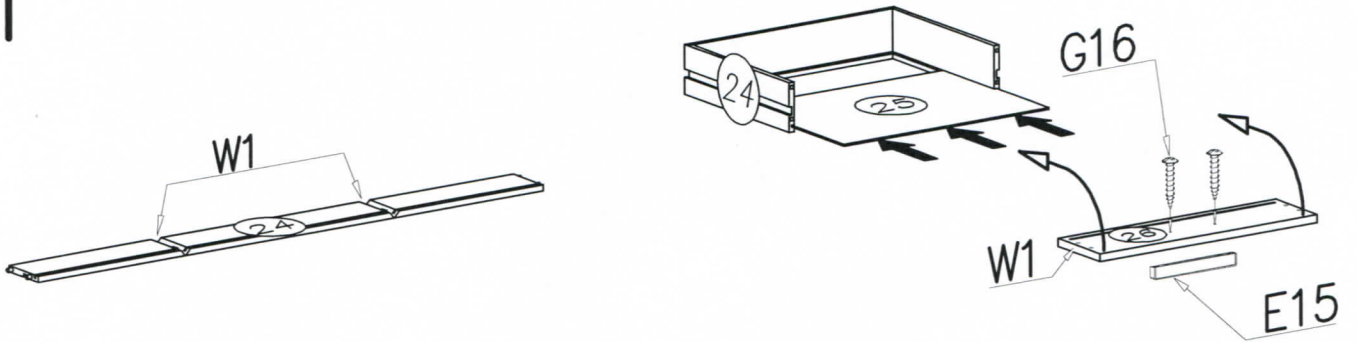


VI

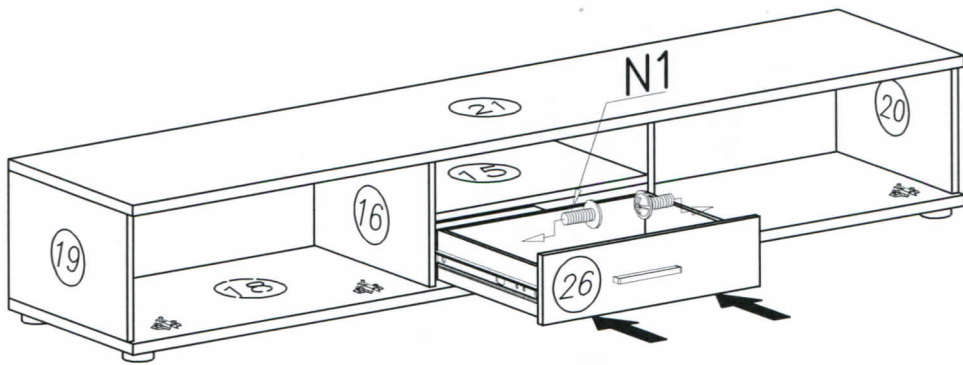




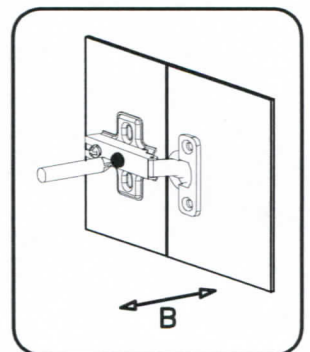
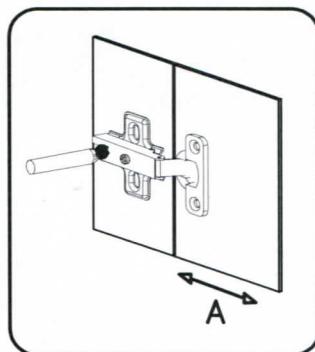
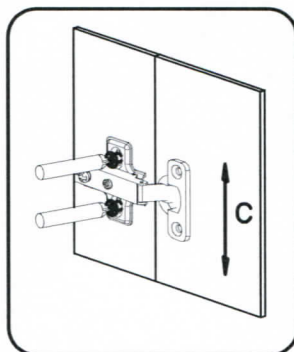
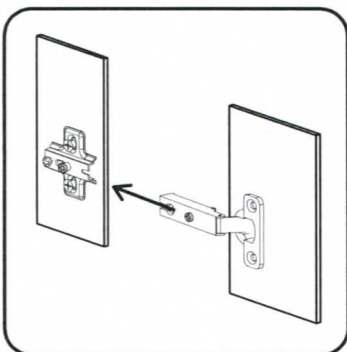
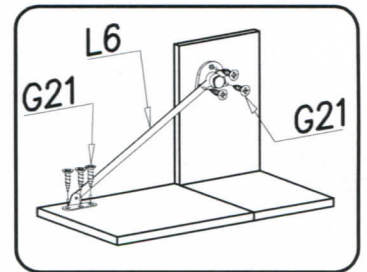
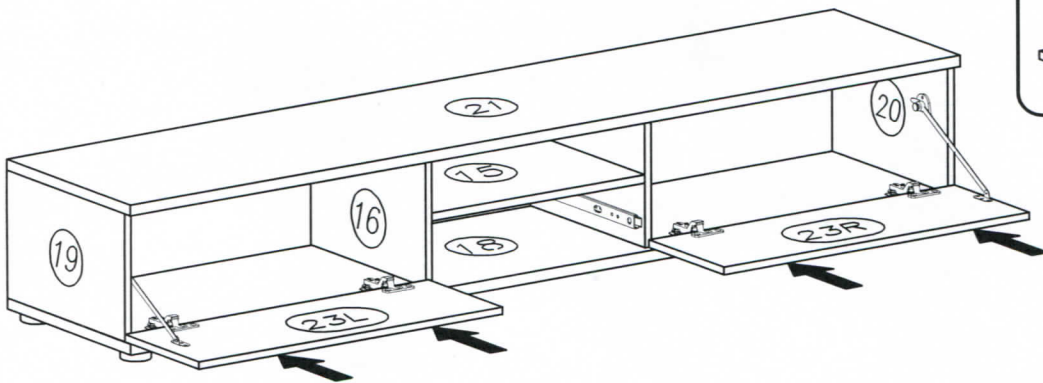
VII



VIII



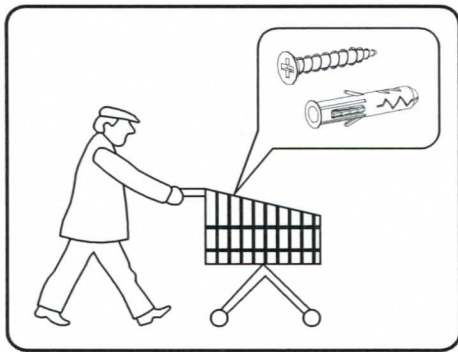
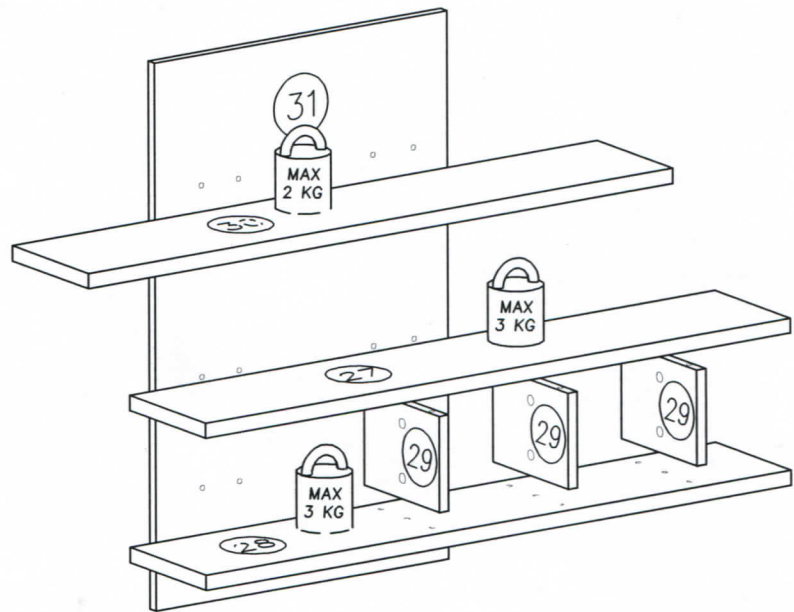
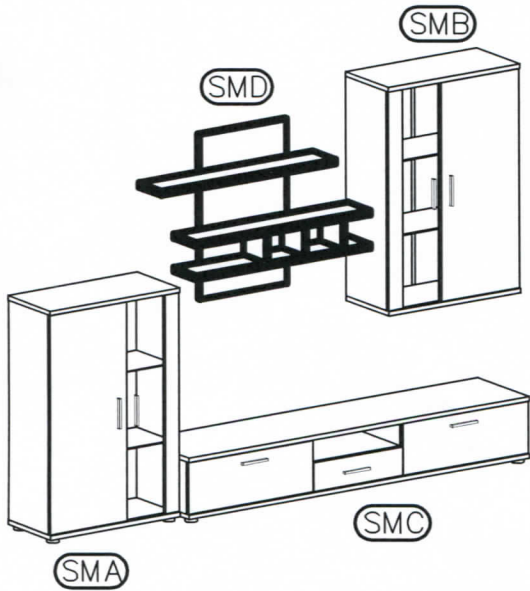
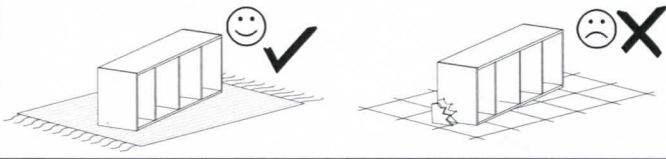
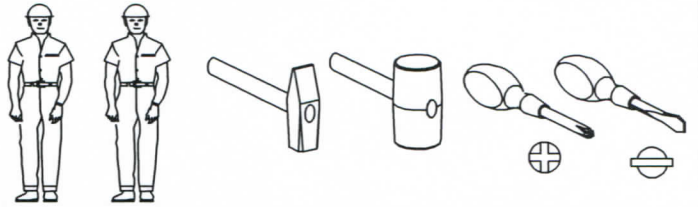
IX





13/14


SMART


< SMD >





A1

 ø7 x 50 x6

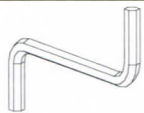
B1

 ø8 x 35 x18

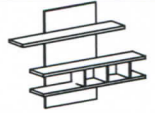
K5

 x6

K1

 ø15 x 12 x6

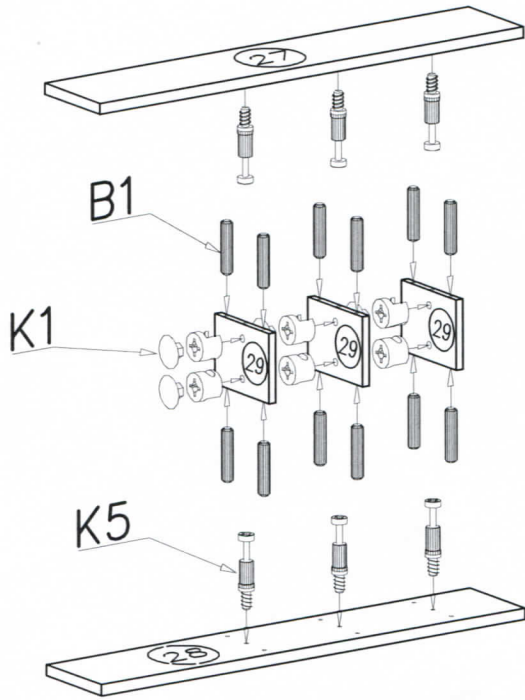
G1

 4 x 13 x4

U1

 x2

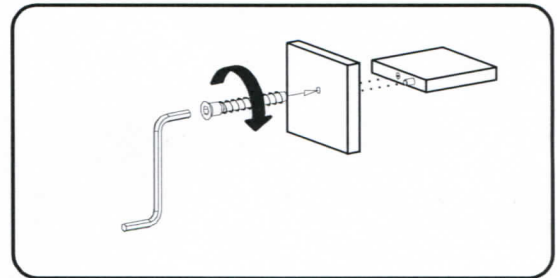
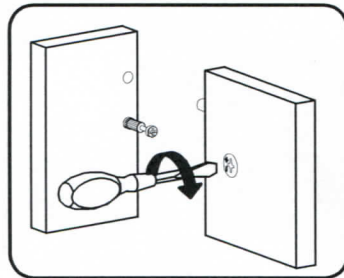
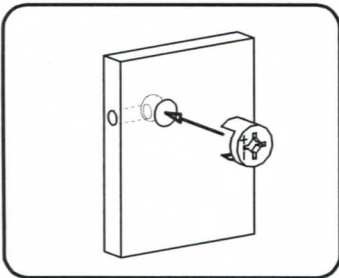
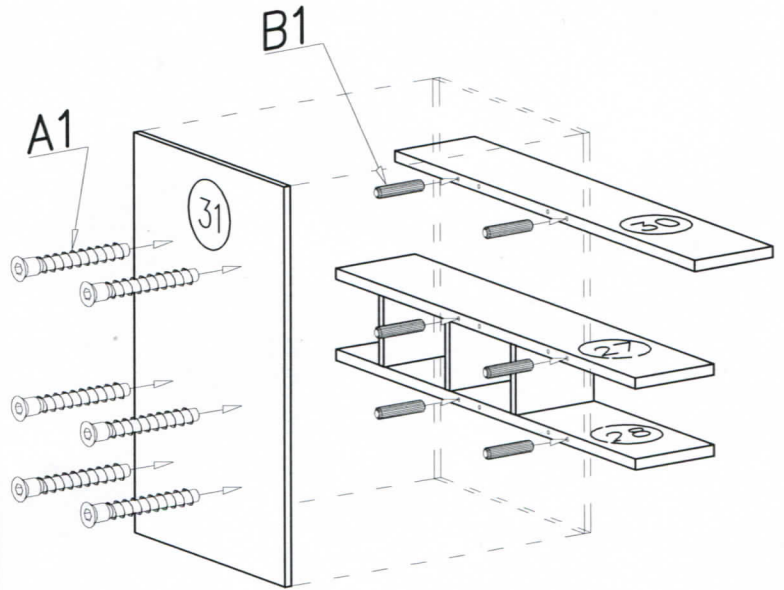
W2

 x1



I



II



III

